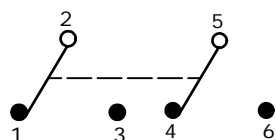
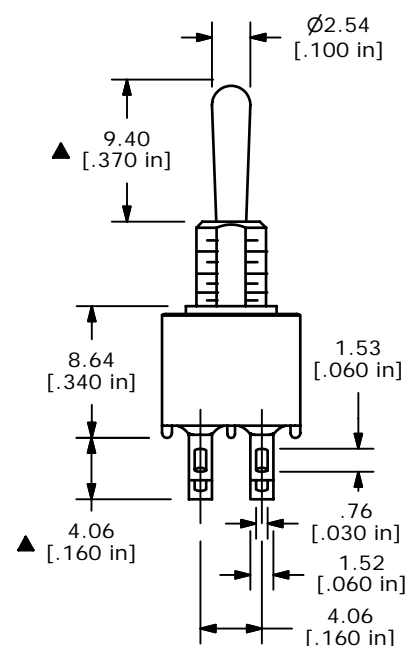
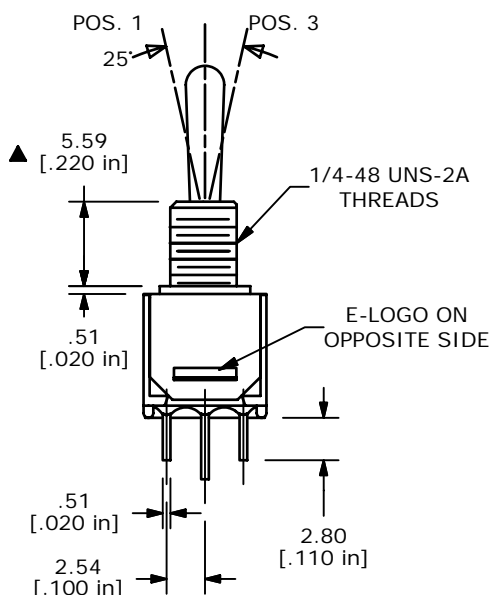


ISOMETRIC

| SWITCH FUNCTION |        |          |
|-----------------|--------|----------|
| POS. 1          | POS. 2 | POS. 3   |
|                 |        |          |
| ON              | NONE   | ON       |
| 2-3, 5-6        | OPEN   | 2-1, 5-4 |



CIRCUIT: DPDT



NOTE:

1. ALL DIMENSIONS IN MM [INCH]
2. GENERAL TOLERANCE: X.X=±0.4  
X.XX=±0.25
3. TERMINAL NUMBERS FOR REF ONLY
- ▲4. PLATING MATERIAL: SILVER
5. RATING: 3 AMPS @ 120VAC OR 28VDC; 1 AMPS @ 250VAC
6. ELECTRIC LIFE: 30,000 MAKE-AND-BREAK CYCLES AT FULL LOAD.
7. INSULATION RESISTANCE: 1,000 MEGA-OHM MIN.
8. DIELECTRIC STRENGTH: 1,000 V RMS @SEA LEVEL.
9. OPERATING TEMP.: -30°C to 85°C
10. ▲ DENOTES CRITICAL PARAMETER.
11. 2002/95/EC (ROHS) COMPLIANT

**E-SWITCH®**

|     |        |                         |         |    |
|-----|--------|-------------------------|---------|----|
| C   | 15881  | EDIT THREAD INFORMATION | 3/21/06 | PH |
| B   | 14748  | REVISED AND REDRAWN     | 3/18/05 | AR |
| REV | PCR NO | DESCRIPTION             | DATE    | BY |

|                       |      |       |             |       |
|-----------------------|------|-------|-------------|-------|
| TITLE 200MDP1T1B1M1QE |      |       |             |       |
| SCALE 2:1             | DATE | DR -- | DWG T221011 | REV C |

THE INFORMATION CONTAINED IN THIS DOCUMENT IS PROPRIETARY TO E-SWITCH AND IS NOT TO BE COPIED OR TRANSFERRED